

# POLYSTYRENE FILM CAPACITOR-PSA&PSR

Suntan®

INDUCTIVE, AXIAL AND RADIAL, WELDED LEAD STYLE

DISCONTINUED

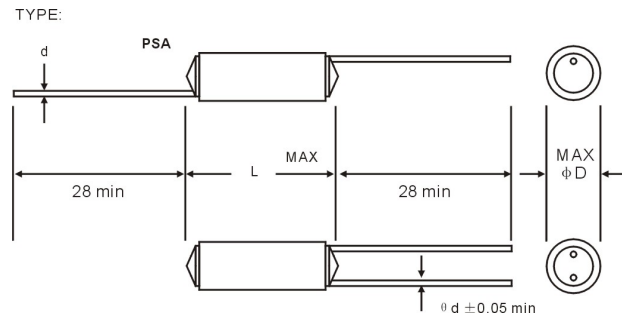
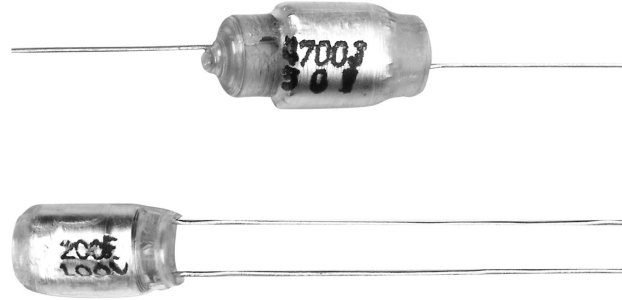
## FEATURES

# TS10

- Low dissipation factor and high insulation resistance.
- High stability of capacitance and DF versus temperature and frequency.
- High precision of capacitance is available

## SPECIFICATIONS

OPERATING TEMPERATURE	-40°C to 70°C
RATING VOLTAGE	DC 33V, 50V, 100V, 125V, 250V, 500V, 630V
CAPACITANCE RANGE	10PF to 10000PF
CAPACITANCE TOLERANCE	±1%, ±2%, ±2.5%, ±5%, ±10%
INSULATION RESISTANCE	100000MΩ min at 25°C
DISSIPATION FACTOR	C>330PF, DF<0.1%, Q>1000 at 1KHz
TEMPERATURE COEFFICIENT	N150 ±50 ppm/°C
CAPACITORS OF OTHER SPECIFICATION ARE AVAILABLE	



VDC PF	50VDC/100VDC			160VDC			500VDC/630VDC		
	D	L	Ø d	D	L	Ø d	D	L	Ø d
10-39	5.5	12	0.4	5.5	12	0.4	5.5	12	0.4
47	5.5	12	0.4	5.5	12	0.4	6	10	0.4
56	5.5	12	0.4	5.5	12	0.4	5.5	12	0.4
68	5.5	12	0.4	5.5	12	0.4	5.5	12	0.4
82	5.5	12	0.4	5.5	12	0.4	5.5	12	0.4
100	6.0	12	0.4	5.5	12	0.4	6	10	0.4
120	5.5	12	0.4	5.5	12	0.4	5.5	12	0.4
150	5.5	12	0.4	5.5	12	0.4	7.5	14	0.4
180	5.5	12	0.4	5.5	12	0.4	6.0	12	0.4
220	5.5	12	0.4	5.5	12	0.4	6.0	12	0.4
270	5.5	12	0.4	5.5	12	0.4	6.0	12	0.4
330	5.5	12	0.4	5.5	12	0.4	6.5	12	0.4
390	5.5	12	0.4	5.5	12	0.4	6.5	12	0.4
470	5.5	12	0.4	5.5	12	0.4	6.5	12	0.4
560	5.5	12	0.4	5.5	12	0.4	6.5	17	0.4

VDC PF	50VDC/100VDC			160VDC			500VDC/630VDC		
	D	L	Ø d	D	L	Ø d	D	L	Ø d
680	5.5	12	0.4	6.0	12	0.4	6.5	17	0.4
820	6.0	12	0.4	6.5	12	0.4	6.5	17	0.4
1000	6.0	12	0.4	6.5	17	0.4	7.0	17	0.4
1200	6.0	12	0.4	6.5	17	0.4	7.5	17	0.4
1500	6.5	12	0.4	6.5	17	0.4	7.5	21	0.4
1800	6.5	12	0.4	7.0	17	0.4	8.0	21	0.4
2200	6.5	12	0.4	7.0	17	0.5	8.0	22	0.4
2700	7.0	12	0.4	7.0	17	0.5	8.5	22	0.4
3300	7.0	12	0.4	7.5	19	0.5	9.0	24	0.5
3900	7.5	12	0.4	7.5	19	0.5	9.5	24	0.5
4700	8.0	12	0.4	8.0	19	0.5	10	24	0.5
5600	8.5	12	0.4	9.0	19	0.5	11	24	0.5
6800	9.0	12	0.4	9.5	19	0.5	11	24	0.5
8200	9.5	12	0.4	9.5	22	0.5	12	24	0.5
10000	10.0	12	0.4	10.5	22	0.5	13	24	0.5

Note: Specification are subject to change without notice. For more detail and update, please visit our website.